



s.34

1/8" - 1/2"
ISO 228 mini ball valve
suitable for panel mounting



Quality

- Each valve is seal tested for maximum safety
- Dual sealing system allows valve to be operated in either direction making installation easier
- No metal-to-metal moving parts
- No maintenance ever required
- Handle clearly shows ball position
- Silicone-free lubricant on all seals
- Chrome plated brass ball for longer life

Body

- One piece drawn sand blasted brass body incorporating stem neck which provides excellent guidance of the stem
- Finest brass according to EN 12164 specification

Stem

- Maintenance-free, double FPM O-rings at the stem for maximum safety

Sealing

- Pure PTFE self-lubricating seats with flexible-lip design

Threads

- ISO 228 parallel female by female threads

Handle

- Lever and T-handle clearly show ball position
- Nylon black lever or T-handle removable with valve in service

Working pressure & temperature

- 15 bar (200 PSI) non-shock cold working pressure
- -20°C to +90°C (-4°F to +200°F)
- **WARNING:** freezing of the fluid in the installation may severely damage the valve

Options

- Male by female threads
- Screw driver or wrench operated
- Yellow lever or T-handle
- NPT taper ANSI B.1.20.1 female by female threads

PED directive

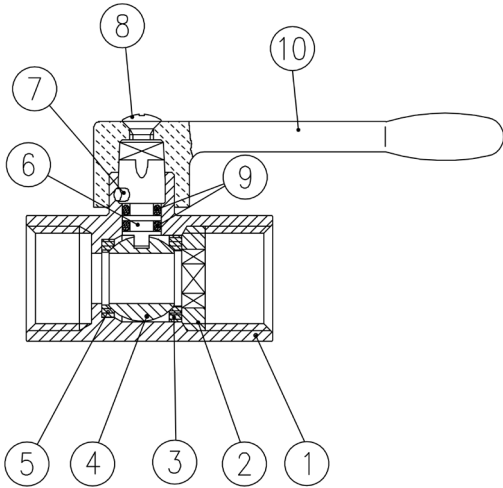
- The product meets the requirements of PED Directive 2014/68/UE and according to art.4 par.3, it does not require CE marking

Approved by or in compliance with

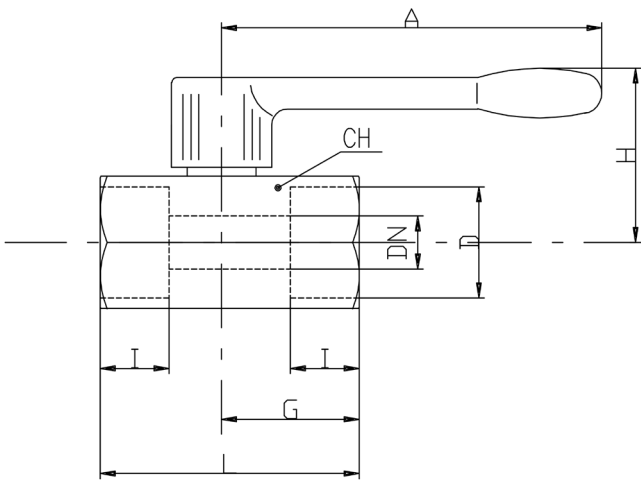
- GOST-R (Russia)
- RoHS Compliant (EU)
- EAC – Declaration of conformity (Russia, Kazakhstan, Belarus)

NOTE: approvals apply to specific configurations/sizes only.





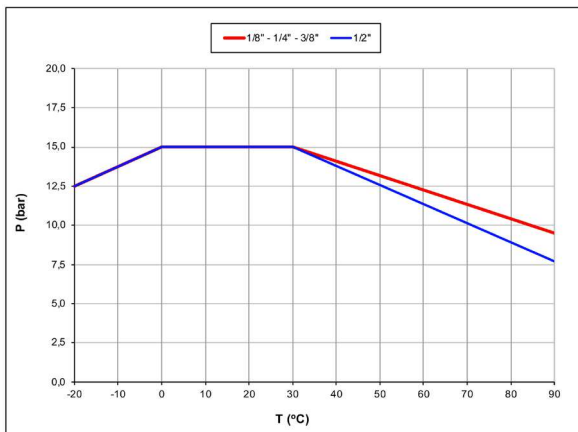
Part description	Q.ty	Material
1 Chrome plated body	1	CW617N
2 Retainer nut	1	CW617N
3 Retainer seat	1	PTFE
4 Chrome plated ball	1	CW617N
5 Body seat	1	PTFE
6 Unplated stem	1	CW617N
7 Pin	1	1.4301 / AISI304
8 Zinc plated screw	1	CB4FF (EN10263-2)
9 O-Ring	2	FPM
10 Black handle	1	Nylon glass filled 30%



DN shows the nominal flow diameter.

Code	S34AF0	S34BF0	S34CF0	S34DF0
D (inch)	1/8	1/4	3/8	1/2
DN(mm)	6	8	8	10
I (mm)	10	11	11	13
L (mm)	41.5	41.5	41.5	49
G (mm)	22	22	22	26
A (mm)	72	72	72	72
H (mm)	30.5	30.5	30.5	32.5
CH(mm)	21	21	21	25
Kv (m3/h)	1.7	4.2	3.6	5

Pressure-temperature chart



Pressure drop chart

